



# Ming Feng Lighting CO.,Ltd

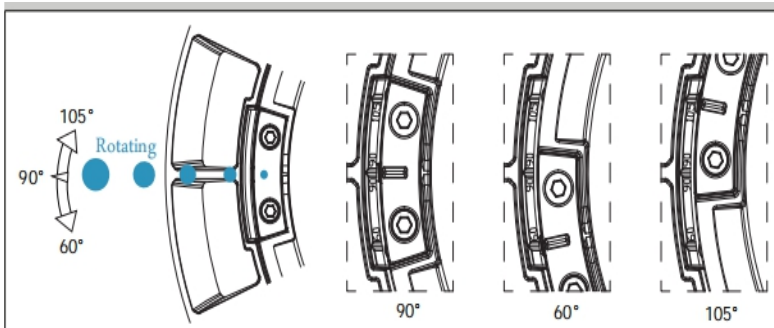
## LED High bay Light Specification



100W/120W/150W/200W  
4 Power in 1



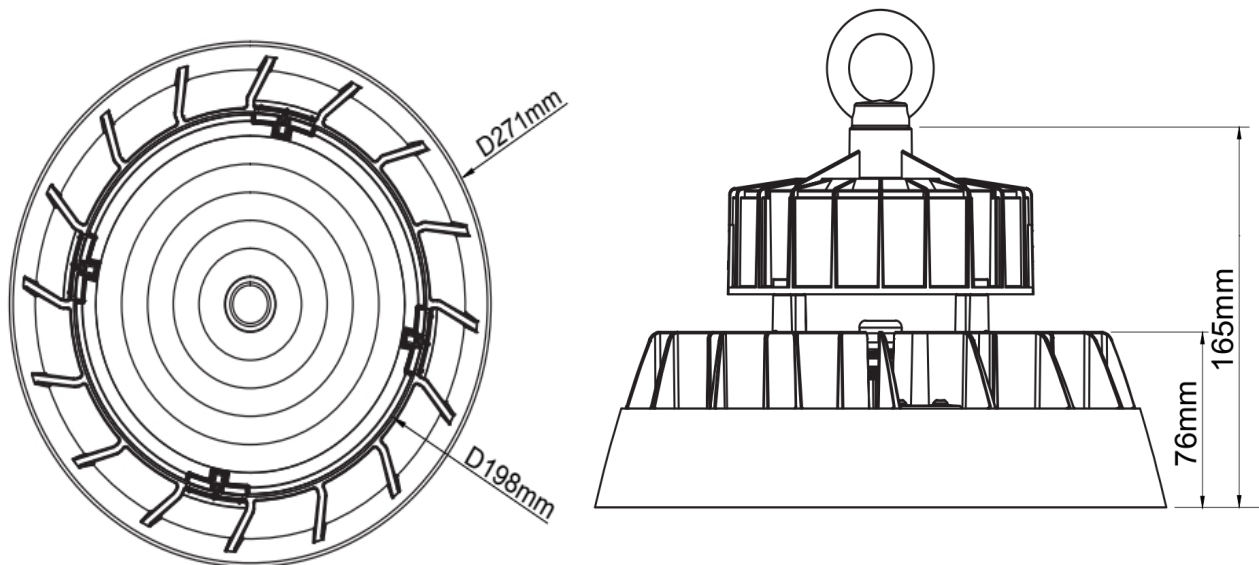
60° /90° /105°  
3 beam angle in 1



# Technical Parameters:

Product Name	<b>100W/120W/150W/200W 4 Power in 1 Highbay</b>			
LED Brand	<b>SAMSUNG</b>			
System Efficacy	<b>155/130±5%LM/W</b>			
Power	<b>100W</b>	<b>120W</b>	<b>150W</b>	<b>200W</b>
Luminous Flux	<b>15500/13000±5%LM</b>	<b>18600/15600±5%LM</b>	<b>23250/19500±5%LM</b>	<b>31000/26000±5%LM</b>
CCT	<b>3000K, 4000K, 5000K,5700K,6000K</b>			
Beam Angle	<b>60°/90°/105° 3 beam angle in 1</b>			
CRI	<b>&gt;80Ra</b>			
System Efficacy	<b>&gt;90</b>			
Driver Brand	<b>LIFUD/Mean Well/ZhiHe As options</b>			
Input Voltage	<b>100-277Vac/220-240Vac</b>			
Power Frequency	<b>50/60Hz</b>			
Power Efficiency	<b>≧ 90%</b>			
Power Factor	<b>≧ 0.9</b>			
Total Harmonic Distortion	<b>&lt;15%</b>			
System Power Consumption	<b>100±5W</b>	<b>120±5W</b>	<b>150±5W</b>	<b>200±5W</b>
Application	<b>Indoor</b>			
Safety Certification	<b>CE, ROHS, TUV, CB, ETL, DLC</b>			
Fixture Material	<b>Aluminium Alloy</b>			
Ingress Protection	<b>IP65</b>			
Life Span	<b>≧ 50000Hrs(Ta=30℃ @LM70)</b>			
Operation Temperature	<b>-30~45℃</b>			
Operating Humidity	<b>15-95%RH</b>			
Storage Temperature	<b>-40~70℃</b>			
Storage Humidity	<b>10%-95%</b>			
Net Weight	<b>3.5±0.2KG</b>			
Gross Weight	<b>4.0±0.2KG</b>			
Carton Size	<b>305*305*205mm</b>			

## Product Dimension:



## Product Package:

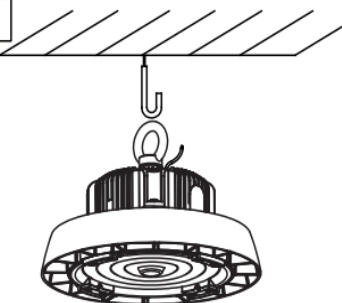
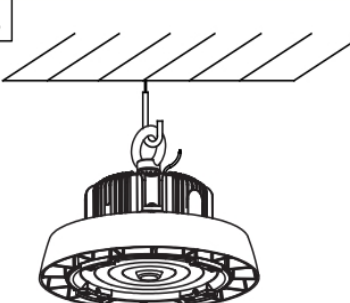
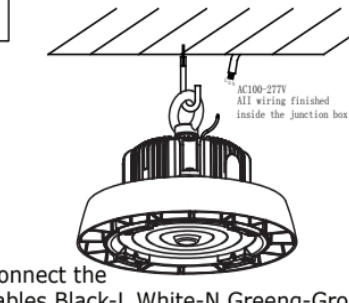


### Packing including:

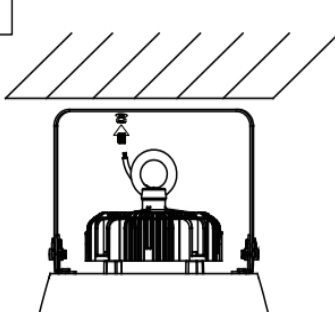
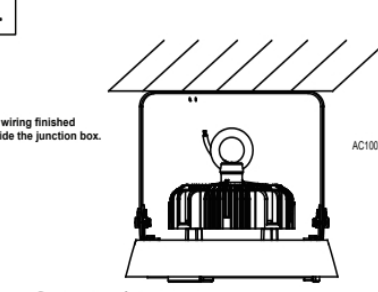
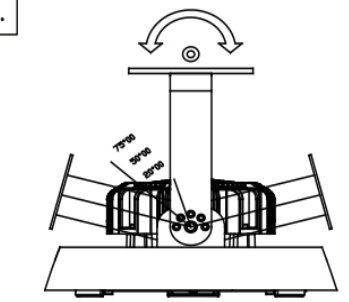
1. 1pcs LED High bay light.
2. 1pcs product user manual

Net.Weight:	3.5±0.2KG
Gross Weight	4.0±0.2KG
Carton Size	305*305*205mm

# Product Installation:

<p>1.</p>  <p>Drilling a hole in the ceiling, install a hook</p>	<p>2.</p>  <p>Hanging the fixture.</p>	<p>3.</p>  <p>AC100-277V All wiring finished inside the junction box</p> <p>Connect the cables. Black-L, White-N, Greeng-Ground take care of the waterproof processing.</p>
--	---	---

<p>1.</p>  <p>Drilling holes in the ceiling, and install the expansion screws</p>
---

<p>2.</p>  <p>Fix the bracket.</p>	<p>3.</p>  <p>All wiring finished inside the junction box.</p> <p>AC100-277V</p> <p>Connect the cables. Black-L, White-N, Green -Ground take care of the waterproof processing.</p>	<p>4.</p>  <p>Adjust the bracket to the beam angle you need.</p>
---	---	---

# Product Application:

